

## 89182403-1

### 24V Dual Fan Condenser

- White finish
- Multiple finish options  
Black (89182403)/SST (89182403-SF)



Part of the...  
**SNOWBIRD SERIES**  
...of products

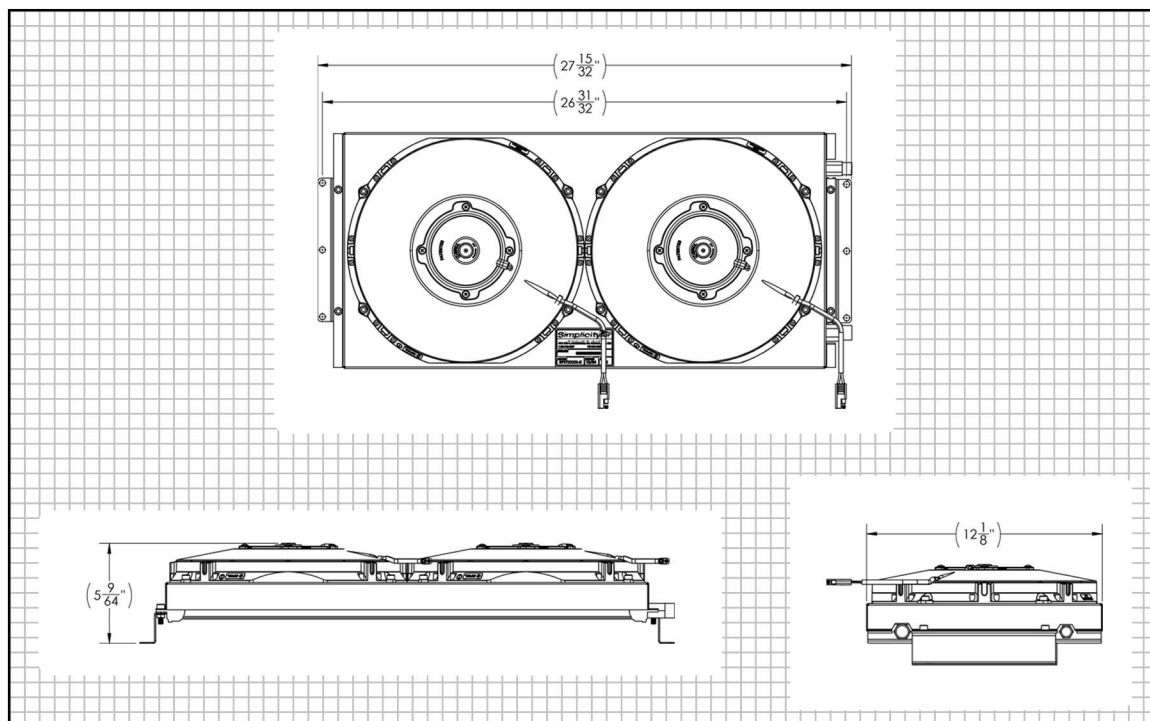
## 89182403-1 SPECIFICATIONS

**CAPACITY:** Cooling 29,719 BTUH (8.7 kW)

**WEIGHT:** 16.5 lbs (7.5 kg)

**AIR FLOW:** 1353 CFM (38.31 CMM)

**CURRENT DRAW:** 8.3 Amp Draw



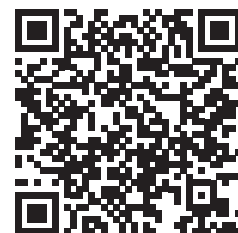
### PRODUCT DIMENSIONS

**Width:**  
27.47 in  
[697.74 mm]

**Height:**  
5.14 in  
[130.56 mm]

**Depth:**  
12.12 in  
[308.1 mm]

SCAN FOR MORE INFORMATION



#### Connect with Us:

[www.simplicityair.com](http://www.simplicityair.com)  
1-800-962-2299

#### North American Locations:

Hagersville, Ontario, Canada  
 Broadview Heights, Ohio, USA