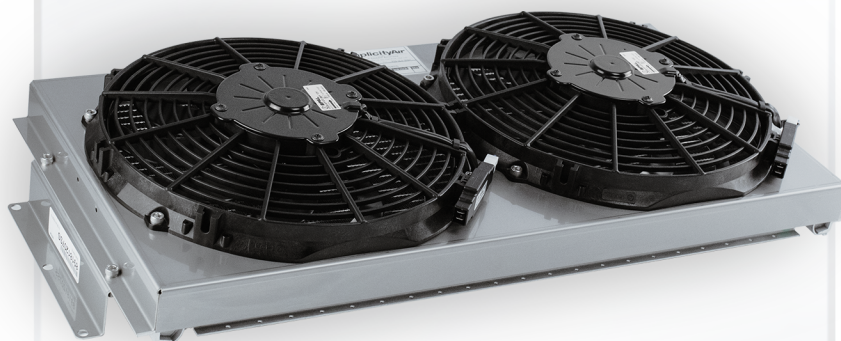


89181203-SF

12V Dual Fan Condenser

- Stainless Steel finish
- Multiple finish options
Black (89181203)/White (89181203-1)



Part of the...

SNOWBIRD SERIES

...of products

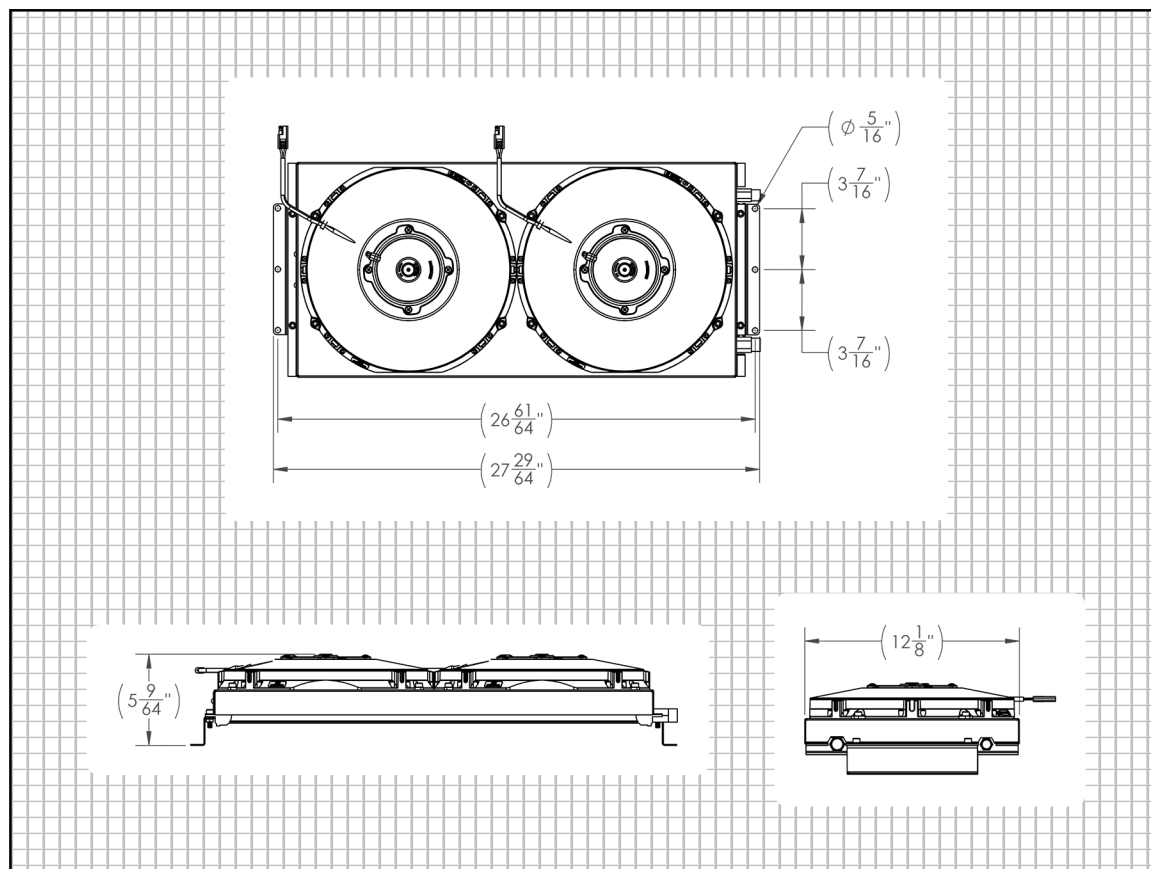
89181203-SF SPECIFICATIONS

CAPACITY: Cooling 29,719 BTUH (8.7 kW)

WEIGHT: 16.5 lbs (7.5 kg)

AIR FLOW: 1353 CFM (38.31 CMM)

CURRENT DRAW: 16.6 Amp Draw



PRODUCT DIMENSIONS

Width:
27.45 in
[697.2 mm]

Height:
5.14 in
[130.8 mm]

Depth:
12.13 in
[308.1 mm]

SCAN FOR MORE INFORMATION

