

89172900 Polar HP

Ceiling-Mounted HVAC

- 2-Ton A/C
- Receiver Drier mount (**Optional**)
- Aluminum finish
- Brushless Blower
- Epoxy Coated Coils

Part of the...

POLAR SERIES

...of products



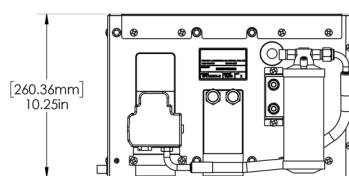
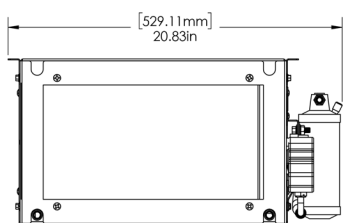
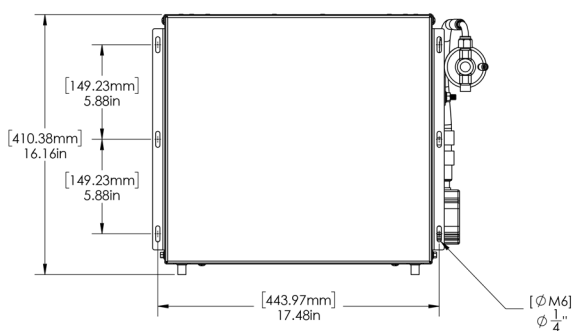
89172900 SPECIFICATIONS

CAPACITY: Heating 48,700 BTUH (14.27 kW)
Cooling 26,980 BTUH (7.9 kW)

WEIGHT: 36.5 lbs (16.6 kg)

AIR FLOW: 636 CFM (18 CMM)

CURRENT DRAW: 26.1 @ 13.0VDC



PRODUCT DIMENSIONS

Width:
20.83 in
[529.11 mm]

Height:
10.25 in
[260.36 mm]

Depth:
16.16 in
[410.38 mm]

SCAN FOR MORE INFORMATION

