

## EE230-5-12

Wallmount 12V HVAC

- Compact Design
- Variable Mounting Options
- Easily Removable Filter

Part of the...

**CHILL SERIES**

...of products



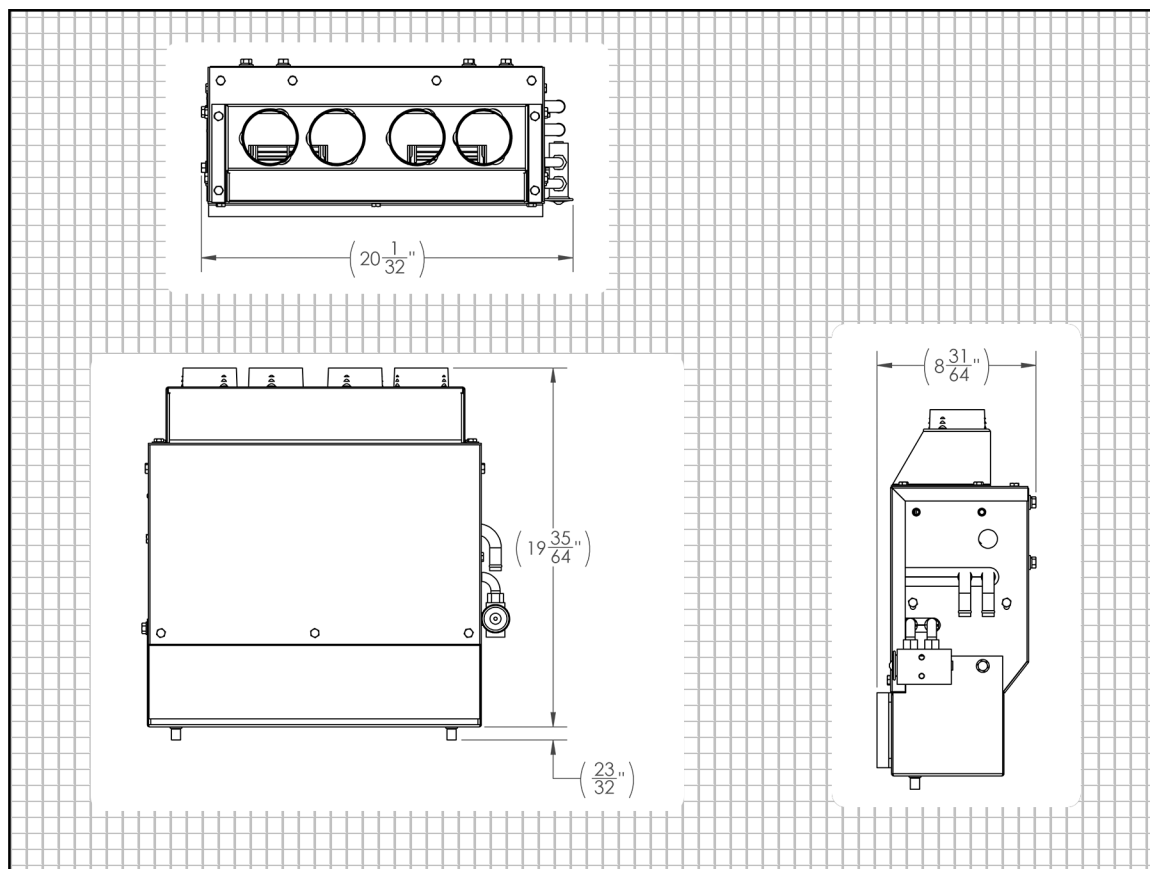
## EE230-5-12 SPECIFICATIONS

**CAPACITY:** Heating 33,000 BTUH (9.7 kW)  
Cooling 23,700 BTUH (6.95 kW)

**WEIGHT:** 30 lbs (13.6 kg)

**AIR FLOW:** 400 CFM (11.3 CMM)

**CURRENT DRAW:** 18.8 Amp Draw



### PRODUCT DIMENSIONS

**Width:**  
20.03 in  
[508.76 mm]

**Height:**  
19.55 in  
[496.57 mm]

**Depth:**  
8.48 in  
[215.39 mm]

SCAN FOR MORE INFORMATION

