

89211120

Single Speed Heater

- Dual blower assembly
- High output heater
- Versatile mounting options
- 4-speed unit available (89211120-4)



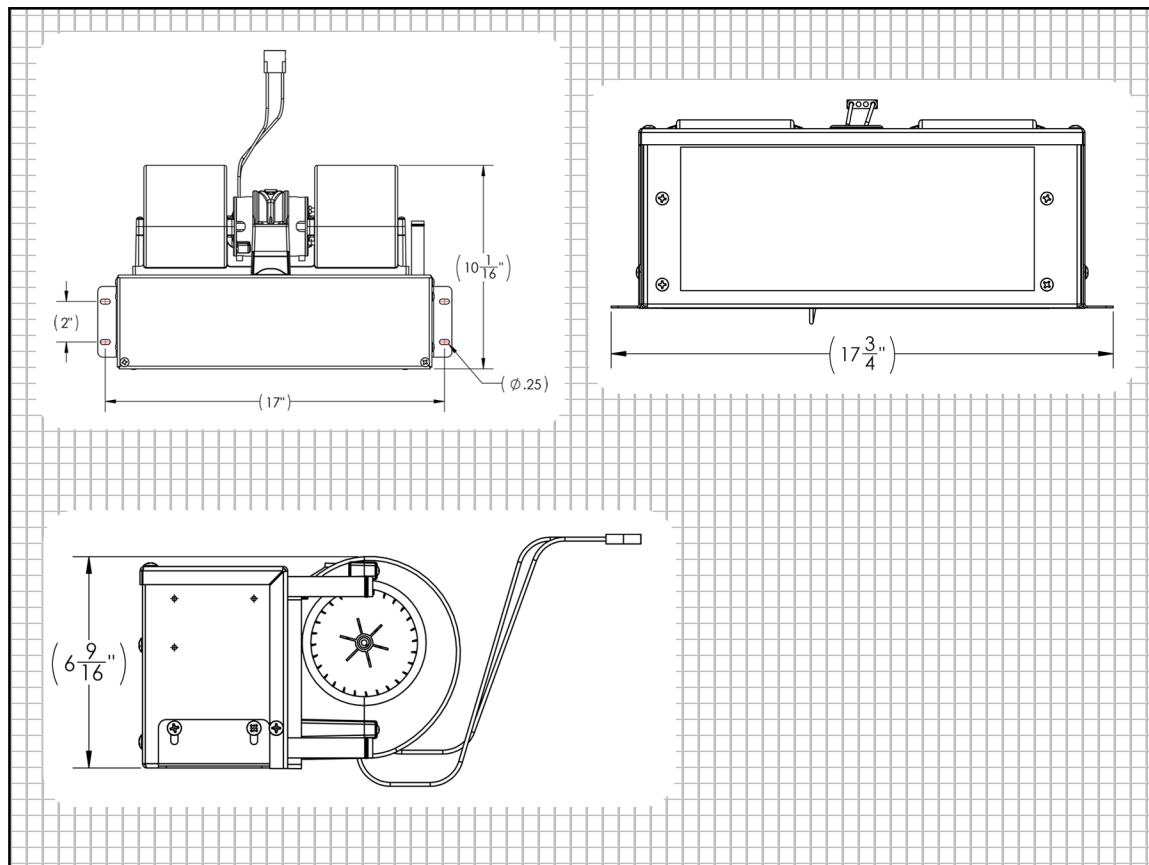
89211120 SPECIFICATIONS

CAPACITY: Heating 44,000 BTUH (12.9 kW)

WEIGHT: 15 lbs (6.8 kg)

AIR FLOW: 613 CFM (17.4 CMM)

CURRENT DRAW: 12.5 Amp Draw



PRODUCT DIMENSIONS

Width:
17.75 in
[450.85 mm]

Height:
6.63 in
[168.40 mm]

Depth:
10.06 in
[255.06 mm]

SCAN FOR MORE INFORMATION

