

89181208

Single Fan Condenser

- Small Product Footprint
- Angled Mounting Brackets



Part of the...
SNOWBIRD SERIES
...of products

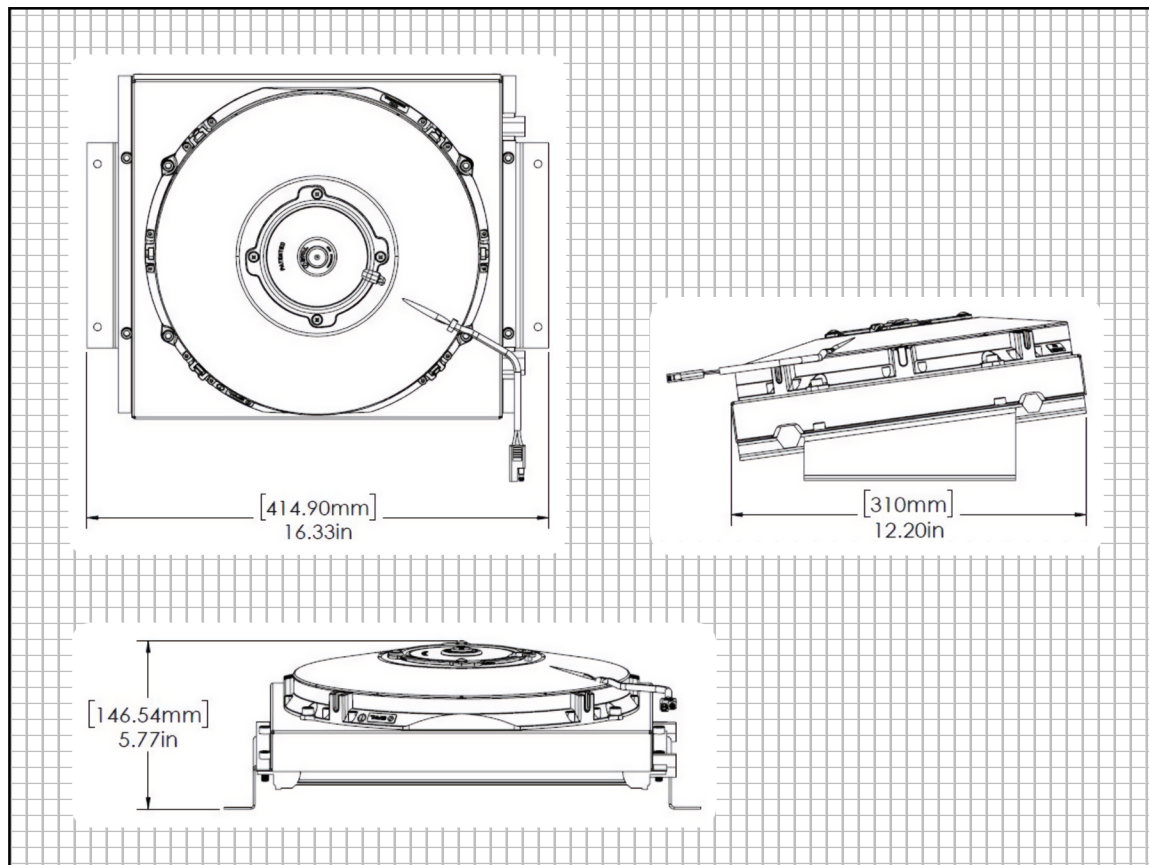
89181208 SPECIFICATIONS

CAPACITY: Cooling 14,860 BTUH (4.35 kW)

WEIGHT: 9 lbs (4.1 kg)

AIR FLOW: 677 CFM (19.2 CMM)

CURRENT DRAW: 7.5 Amp Draw



PRODUCT DIMENSIONS

Width:
16.33 in
[414.90 mm]

Height:
5.77 in
[146.54 mm]

Depth:
12.20 in
[310 mm]

SCAN FOR MORE INFORMATION

