

## 89181200

### Single Fan Condenser

- Black Painted Finish
- Angled Mounting Brackets



Part of the...  
**SNOWBIRD SERIES**  
...of products

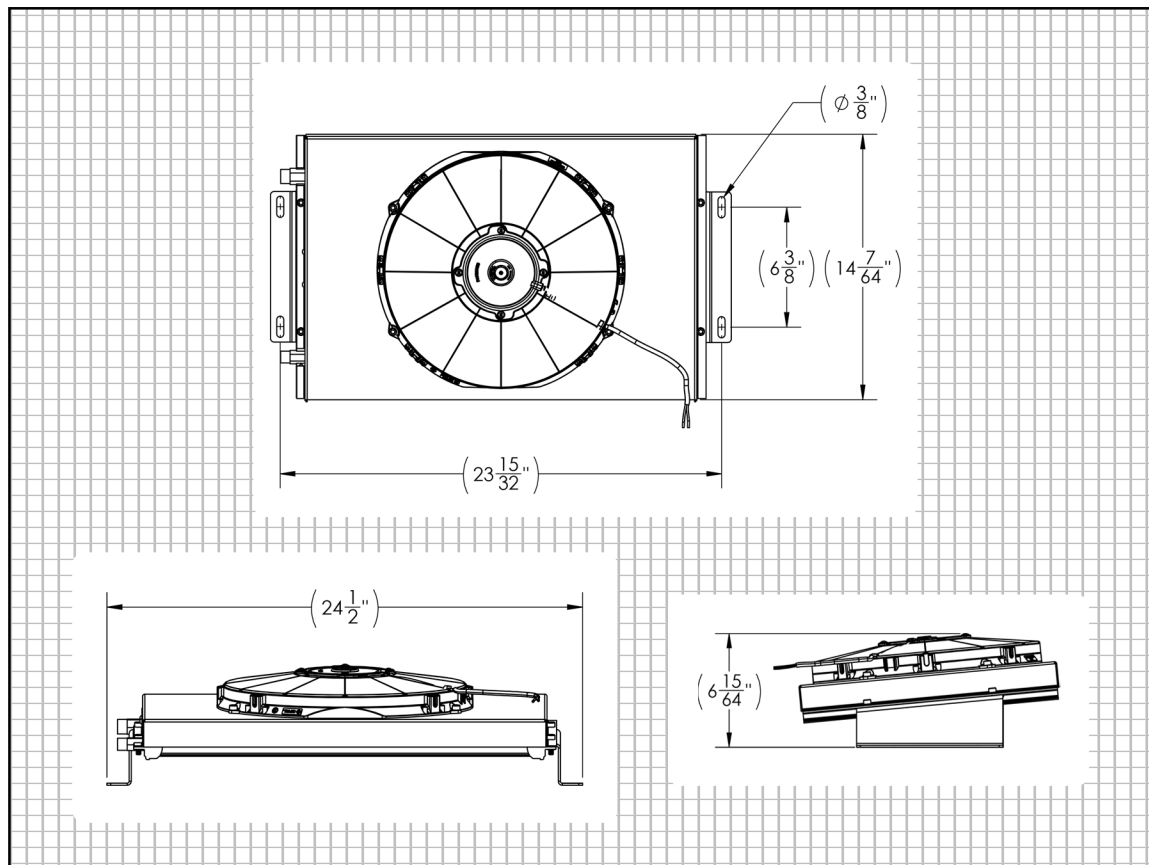
## 89181200 SPECIFICATIONS

**CAPACITY:** Cooling 28,000 BTUH (8.21 kW)

**WEIGHT:** 15.9 lbs (7.2 kg)

**AIR FLOW:** 870 CFM (24.6 CMM)

**CURRENT DRAW:** 8.1 Amp Draw



### PRODUCT DIMENSIONS

**Width:**  
24.5 in  
[622.30 mm]

**Height:**  
6.23 in  
[158.35 mm]

**Depth:**  
14.11 in  
[358.38 mm]

SCAN FOR MORE INFORMATION

